
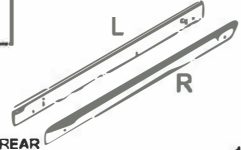
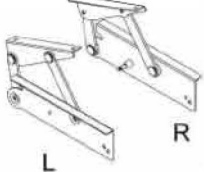







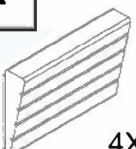




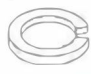

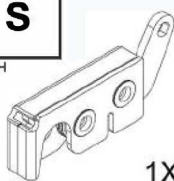
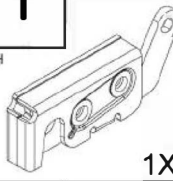



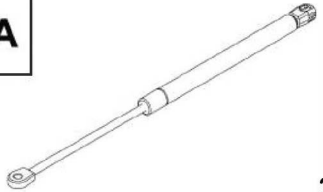

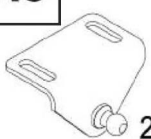
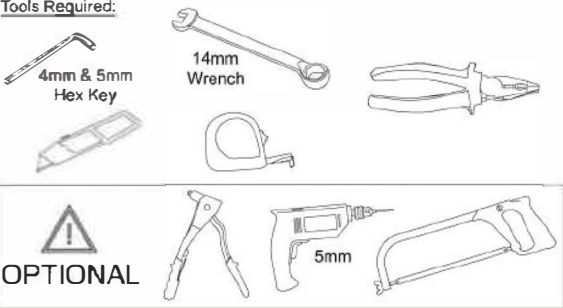


UpStoneEvolve

INSTALLATION INSTRUCTIONS EVOS1000 - EVOS1050

ISUZU DMAX 2020+ / CREW CAB ET SPACE CAB

| | | | | | |
|--|--|--|---|--|--|
| A  1X | B  1X | C  1X | D  2X | | |
| E  4X | F  4X | G  6X | H  2X | I  2X | J  2X |
| K  4X | L  2X | M  4X | N  12X | O  12X | P  8X |
| R  4X | S  1X | T  1X | U  2X | V  2X | |
| W  2X | | | | AA  2X | |
| AB  1X | AC  2X | <p>Note 1: If at any stage of installation you find your sportlid to be an unacceptable fit please contact the manufacturer before continuing.</p> <p>Note 2: If required, use Under Rail Bed Liner only. NOT FOR USE WITH OVER RAIL BED LINER!</p> <p>Tools Required:</p>  <p>OPTIONAL</p> | | | |
| Fitting Kit Number KIT1000-1050RLBF | Product Upstone Lid | Revision 1 | Date | Page 1 | |

1

Remove ladder rack

Note 2: If required, use Proform Under Rail Bed Liner only. Not for use with Over Rail Bed Liner.

Follow guide lines to trim liner in front corners.

2

| Vehicle Model | α |
|---|----------|
| Isuzu D-Max Double & Extra Cab 2020+ ATFS, ATFR | 2 |
| | |
| | |
| | |
| | |

$\alpha 1$
 $\alpha 2$
 $\alpha 3$
 $\alpha 4$

T 4X

3

4

5

Place front of side mounting brackets back from inside corners of the cargo box - See table for measurement

MAX TORQUE SETTING = 8.5Nm OR 6.3 Ft/Pounds

FINGER TIGHTEN ONLY

| Vehicle Model | β | δ | φ |
|--|---------|----------|-----------|
| Isuzu D-Max Double & Extra Cab 2020+ATFS, ATFR | 69mm | 3 | 2 |
| | | | |
| | | | |
| | | | |

5

Place front of side mounting brackets back from inside corners of the cargo box - See table for measurement

MAX TORQUE SETTING = 8.5Nm OR 6.3 Ft/Pounds

FINGER TIGHTEN ONLY

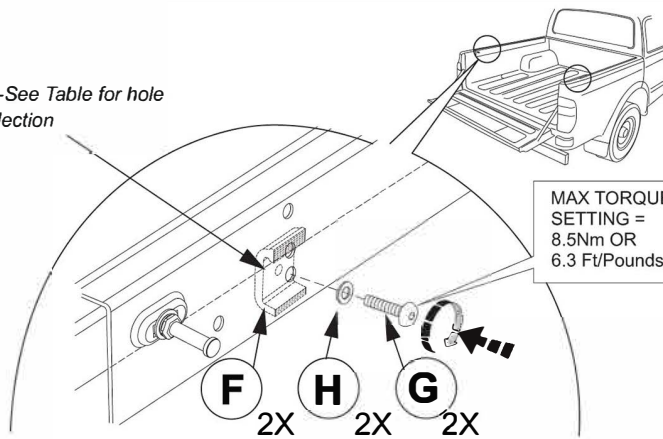
| Vehicle Model | β | δ | φ |
|--|---------|----------|-----------|
| Isuzu D-Max Double & Extra Cab 2020+ATFS, ATFR | 69mm | 3 | 2 |
| | | | |
| | | | |
| | | | |

| Fitting Kit Number | Product | Revision | Date | Page |
|--------------------|-------------|----------|------------|--------|
| KIT1000-1050RLBF | Upstone Lid | 1 | 01.07.2016 | 2 of 7 |

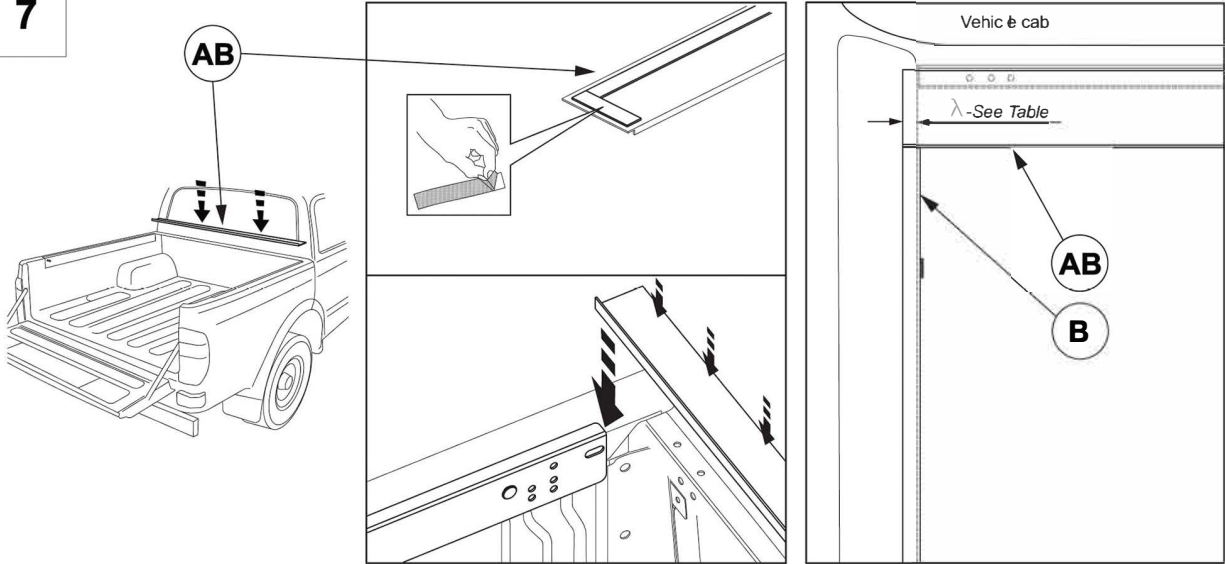
6

δ - See Table for hole selection

MAX TORQUE
SETTING =
8.5Nm OR
6.3 Ft/Pounds



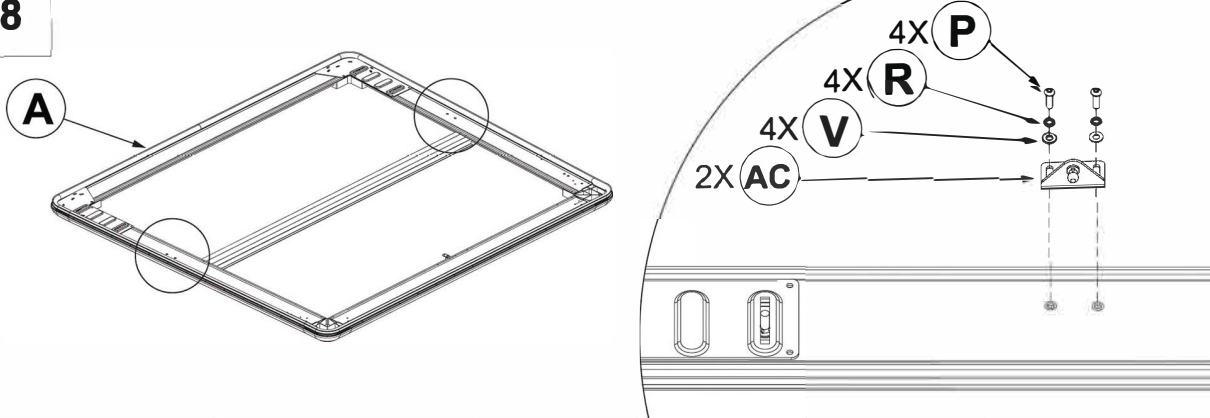
7



| Vehicle Model | λ |
|---|------|
| Isuzu D-Max Double & Extra Cab 2020+ ATFS, ATFR | 28mm |
| | |
| | |
| | |
| | |
| | |

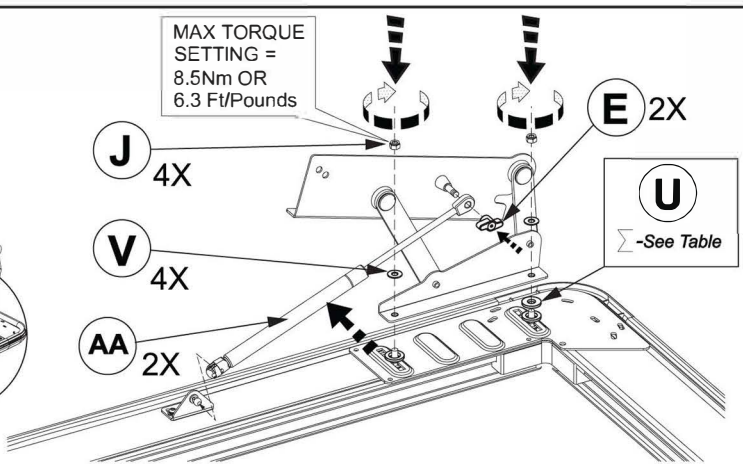
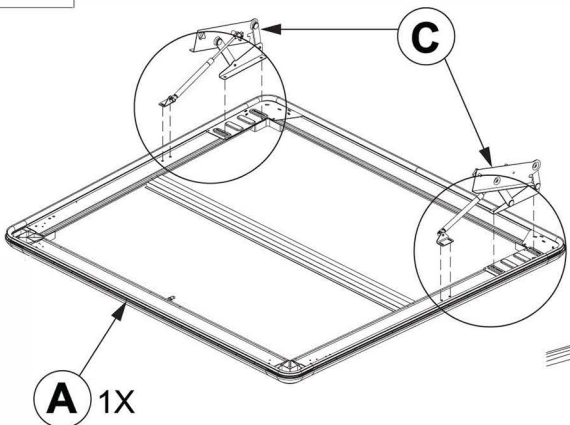
! DO NOT apply below 15°C.
Apply pressure to part. Adhesive is pressure activated.
Allow 3hrs minimum to cure before installing lid

8

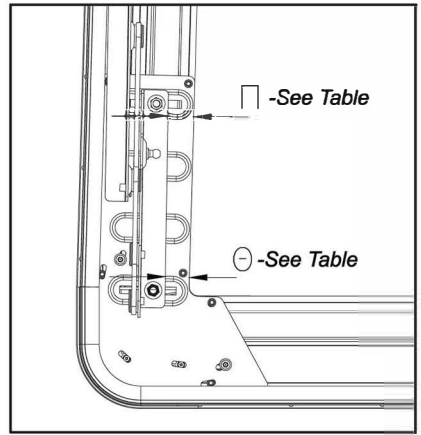


| Fitting Kit Number | Product | Revision | Date | Page |
|--------------------|-------------|----------|------------|--------|
| KIT1000-1050RLBF | Upstone Lid | 1 | 01.07.2016 | 3 of 7 |

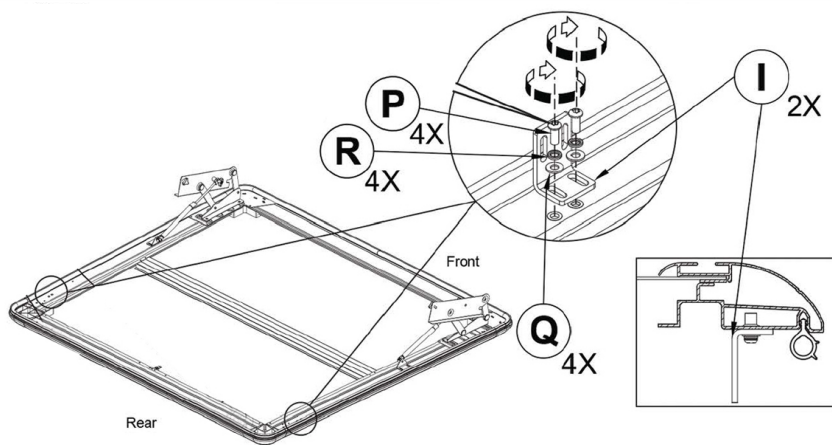
9



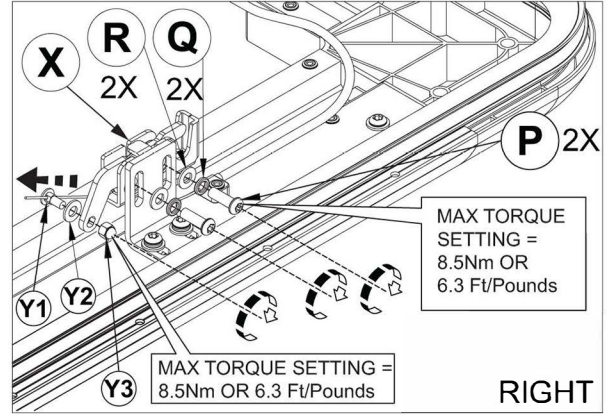
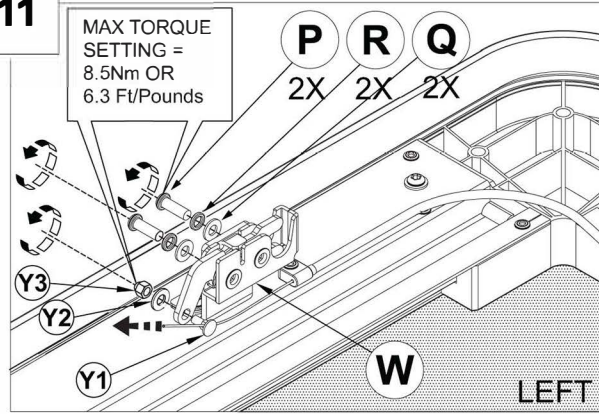
| Vehicle Model | □ | ⊖ | Σ |
|---|------|------|---|
| Isuzu D-Max Double & Extra Cab 2020+ ATFS, ATFR | 26mm | 29mm | - |



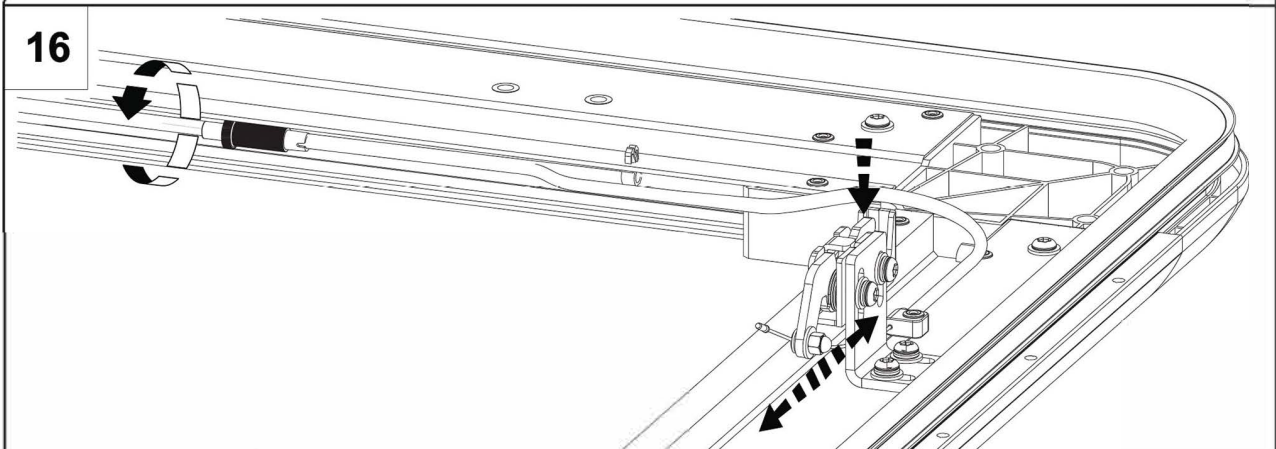
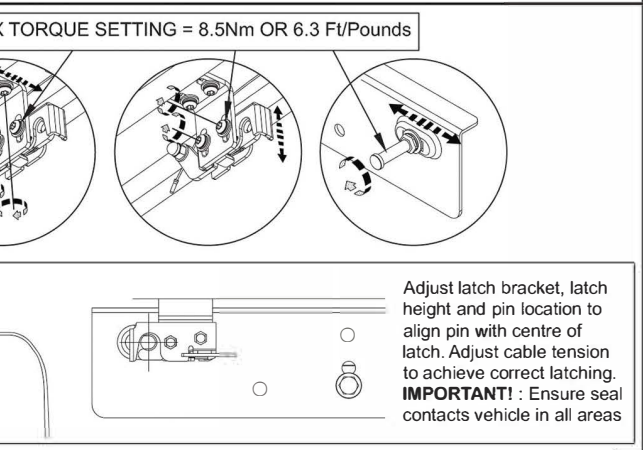
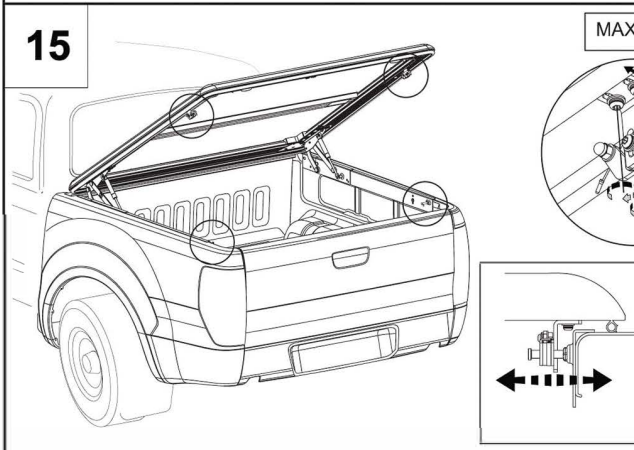
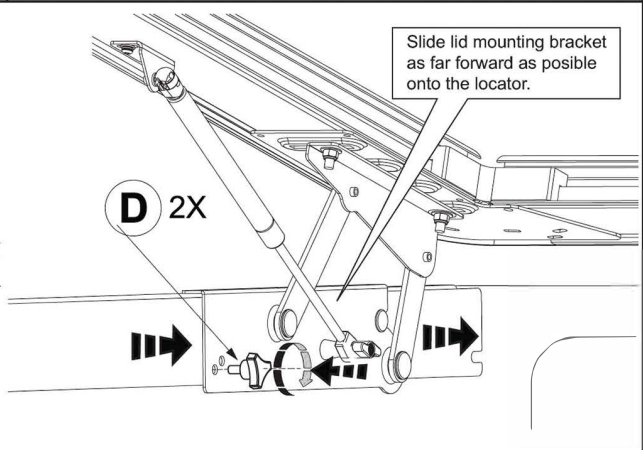
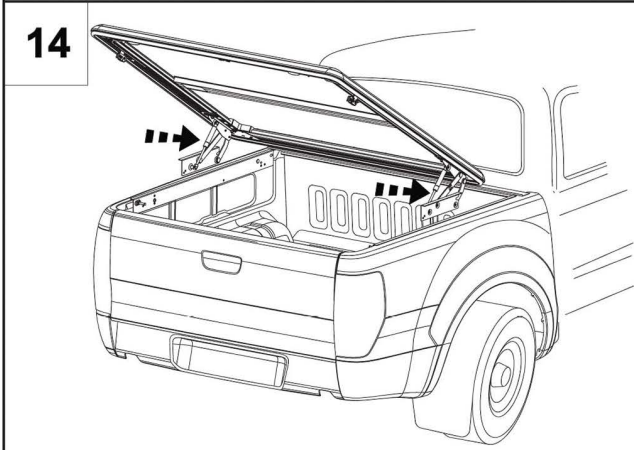
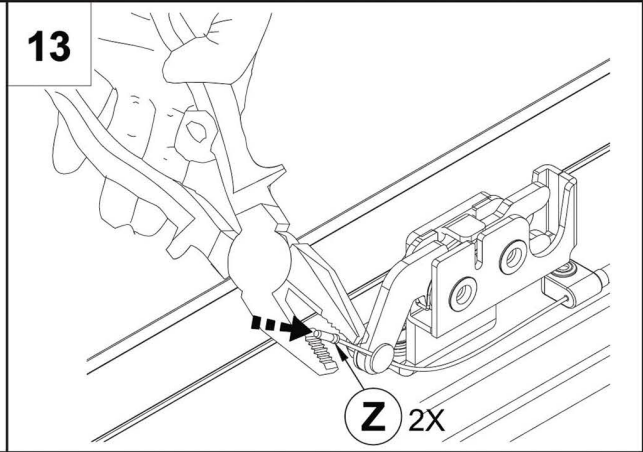
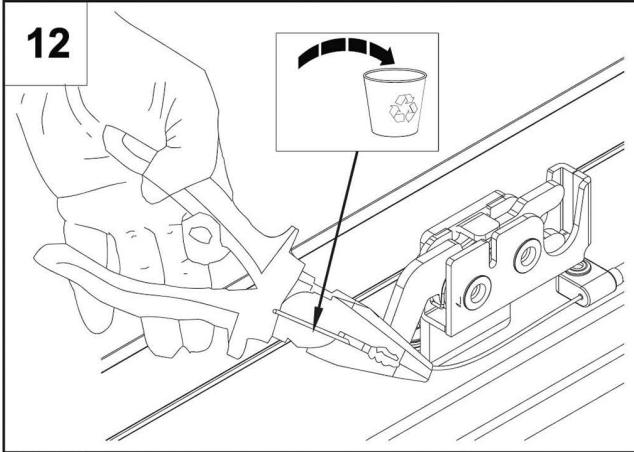
10



11



| Fitting Kit Number | Product | Revision | Date | Page |
|--------------------|-------------|----------|------------|--------|
| KIT1000-1050RLBF | Upstone Lid | 1 | 01.07.2016 | 4 of 7 |

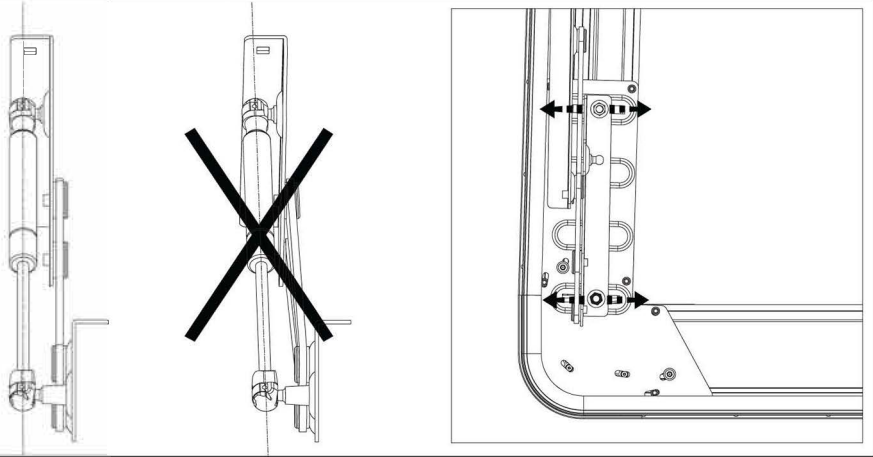


| Fitting Kit Number | Product | Revision | Date | Page |
|--------------------|-------------|----------|------------|--------|
| KIT1000-1050RLBF | Upstone Lid | 1 | 01.07.2016 | 5 of 7 |

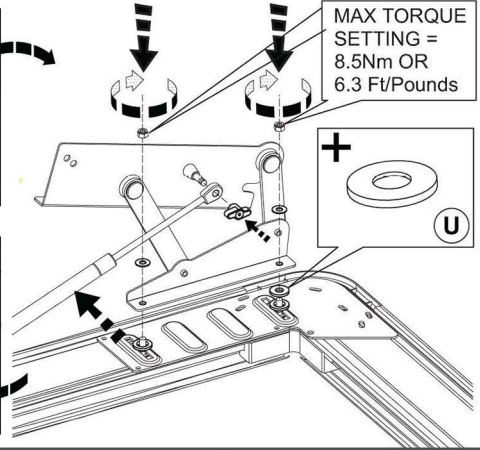
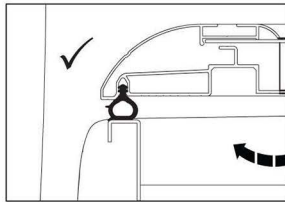
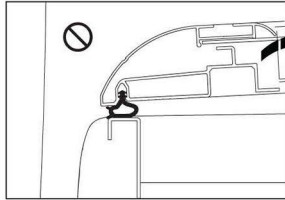
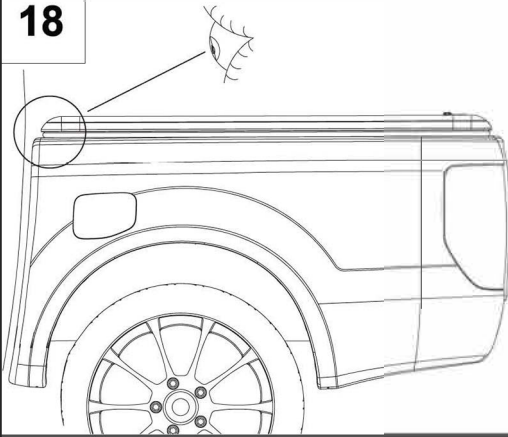
17



Insure hinge is not twisted.
Adjust connection to lid if nessessary.

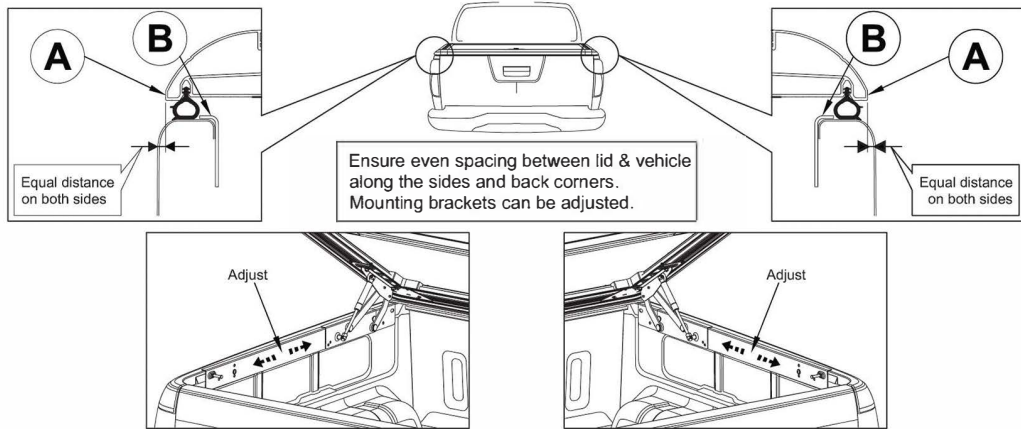


18



| Fitting Kit Number | Product | Revision | Date | Page |
|--------------------|-------------|----------|------------|--------|
| KIT1000-1050RLBF | Upstone Lid | 1 | 01.07.2016 | 6 of 7 |

19



After installation carefully and thoroughly clean all debris from the inside of the cargo box.
Retain these instructions for future reference



CAUTION!

- NEVER allow people or animals under the closed cover
- Do not place unsealed solvents or chemicals under the cover
- Do not stand or place heavy objects on the cover
- Do not open lid when under load.
- Close the cover before operating the vehicle
- Do not allow oil, solvents or chemicals to contact the cover
- Clean only with a mild detergent and water solution

| Fitting Kit Number | Product | Revision | Date | Page |
|--------------------|-------------|----------|------------|--------|
| KIT1000-1050RLBF | Upstone Lid | 1 | 01.07.2016 | 7 of 7 |

**ISUZU
NISSAN NAVARA
TOYOTA HILUX
VOLKSWAGEN AMAROK**



Item Code

Codice Articolo

Référence Article

: RUP/470/IX

GB

STAINLESS STEEL
MEDIUM BAR




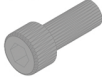

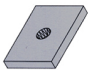
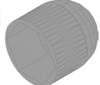

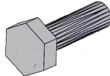


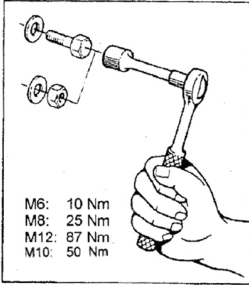
FR

**MEDIUM BAR
EN ACCIER INOX**

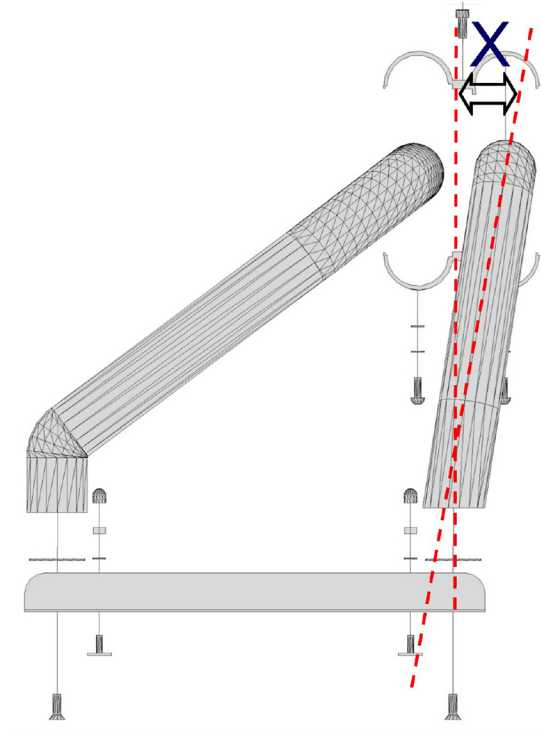
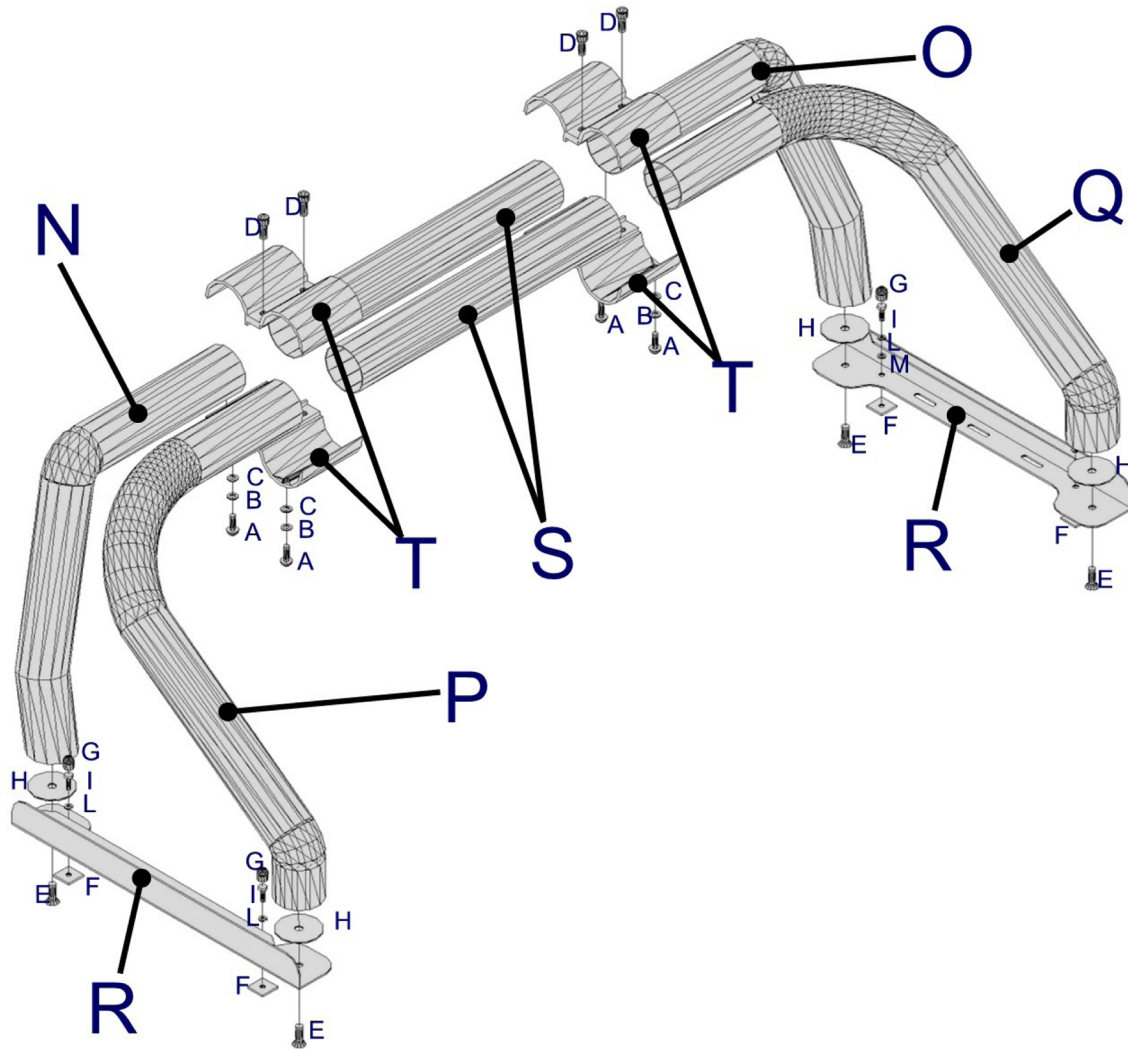
ISUZU, NISSAN NAVARA, TOYOTA HILUX, VOLKSWAGEN AMAROK

Part List

Liste des pièces

| | | | | |
|---|--|--|---|---|
| A  TBCEI 8X25 x 4 | B  Ø 8 x 4 | C  Ø 8 x 4 | D  TCEI 10X25 x 4 | E  TSPEI M10X25 x 4 |
| F  M6 x 4 | G  Cappelletti M 6 x 4 | H  VIPLA Ø 80 x 4 | I  TE 6X15 x 4 | L  BIG Ø 6 GRAND x 4 |
| M  Ø 6 x 4 | N AS7/SX x1 | O AS7/DX x1 | P PS7/SX x1 | Q PS7/DX x1 |
| R RLS/7TR x2 | S RLB/06 x2 | T RLB Ø76 x2 |  <p>M6: 10 Nm M8: 25 Nm M12: 87 Nm M10: 50 Nm</p> | |

ISUZU, NISSAN NAVARA, TOYOTA HILUX, VOLKSWAGEN AMAROK



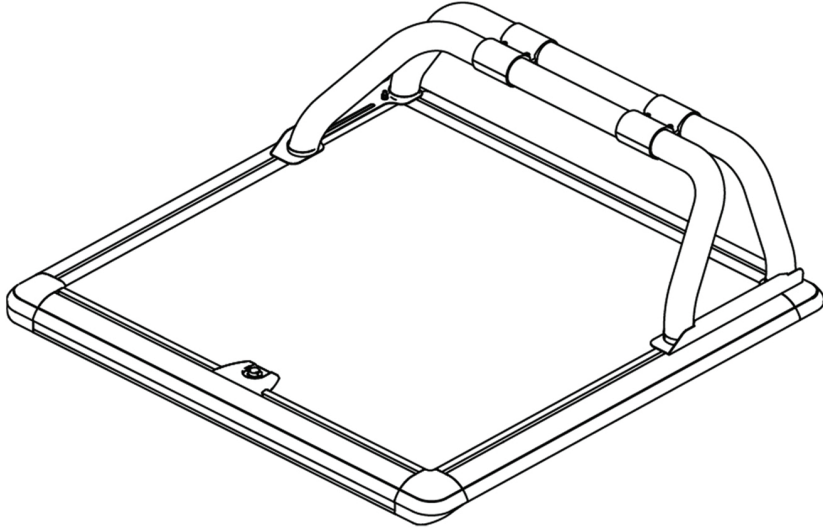
WARNING: fit the N and O front bends as shown in the drawing

ATTENTION: monter les curves anterieures N et O comme indique dans le dessin.

UpStoneEvolve

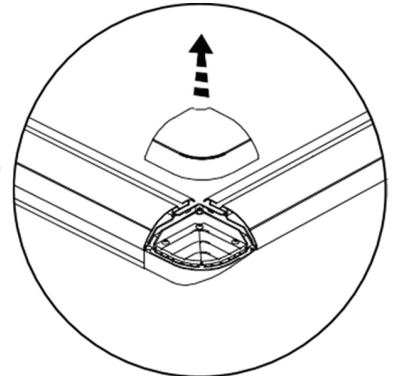
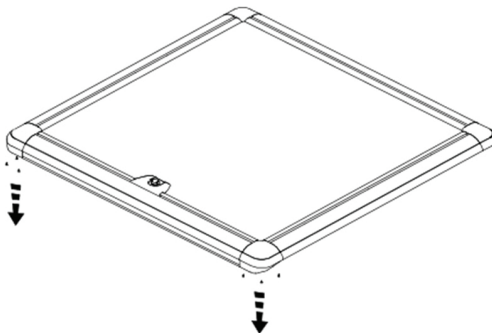
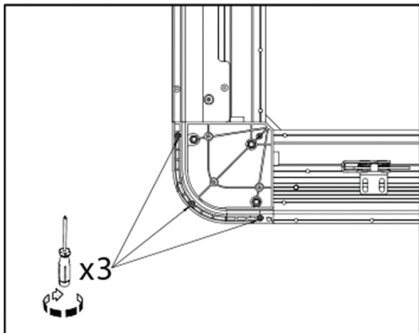
INSTALLATION INSTRUCTIONS WITH ROLL BAR

RLB76



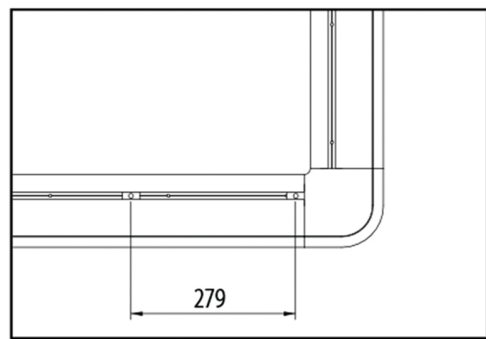
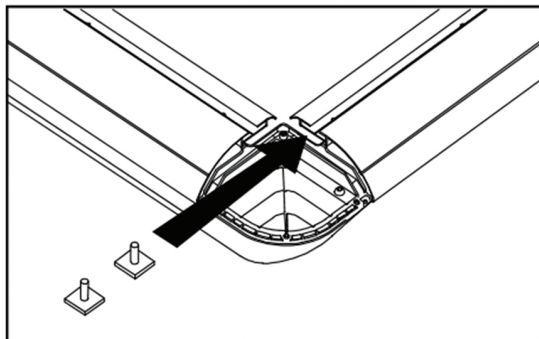
1

Remove caps by unscrewing the 3 screws in the back corner both left and right.



2

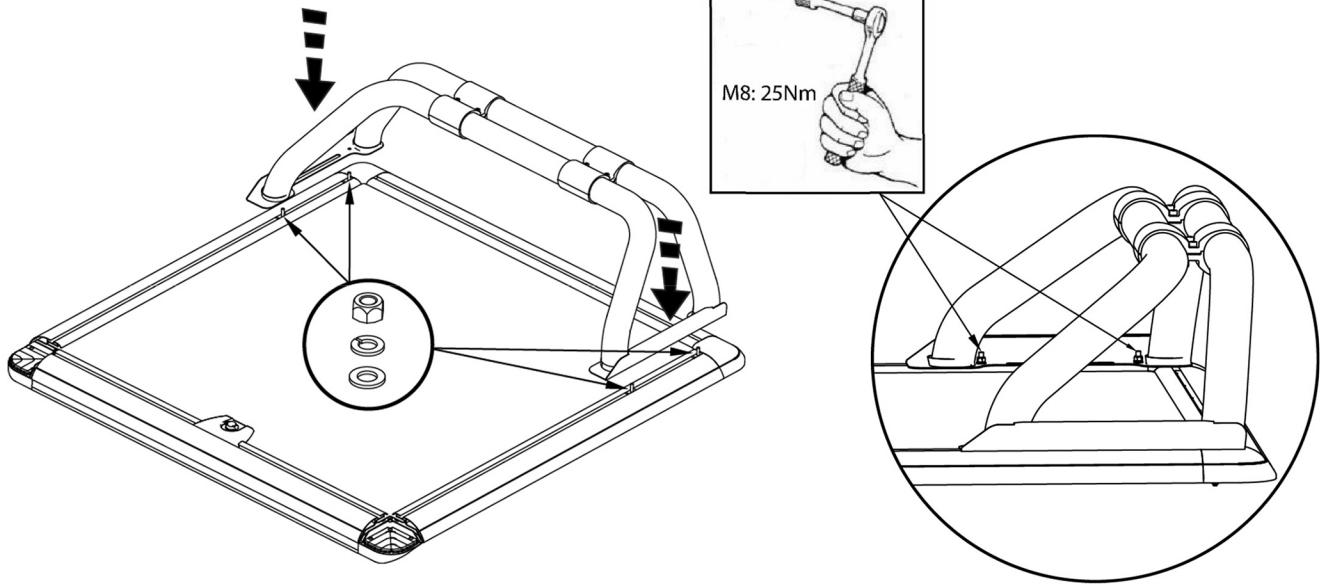
Insert 2 x Square bolts in both the left and right rails.



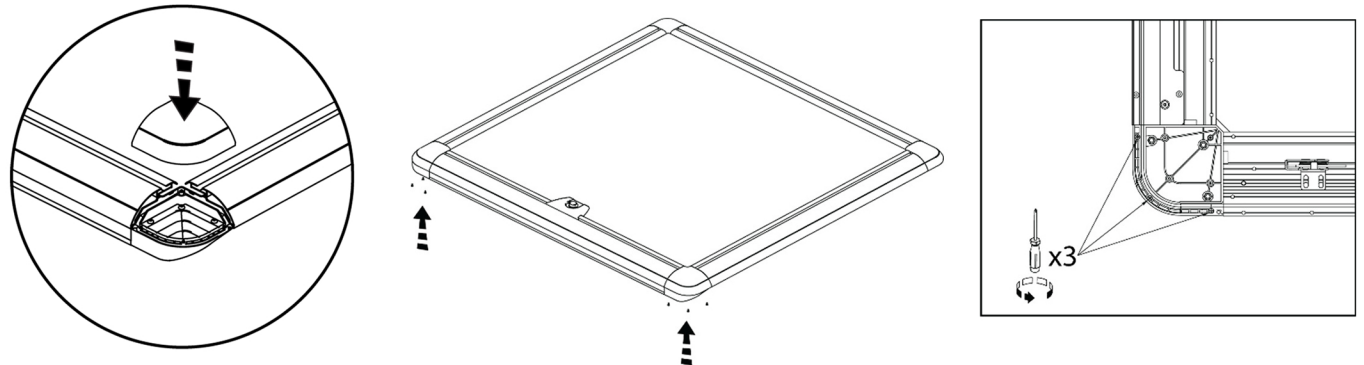
| Fitting Kit Number | Product | Revision | Date | Page |
|--------------------|---------------|----------|------------|--------|
| RLB76F | Medium SS Bar | 1 | 29.09.2017 | 1 of 2 |

3

Place the sport bar onto the cover aligning the holes on the foot plate with the square bolts inserts.
Fix with nut, spring washer and washer.

**4**

Replace the caps on the covers corners



| Fitting Kit Number | Product | Revision | Date | Page |
|--------------------|---------------|----------|------------|--------|
| RLB76F | Medium SS Bar | 1 | 29.09.2017 | 2 of 2 |

UpStoneEvolve

Info@upstone.fr